



A Highly Interactive Pedigree Viewer

Joe Martel

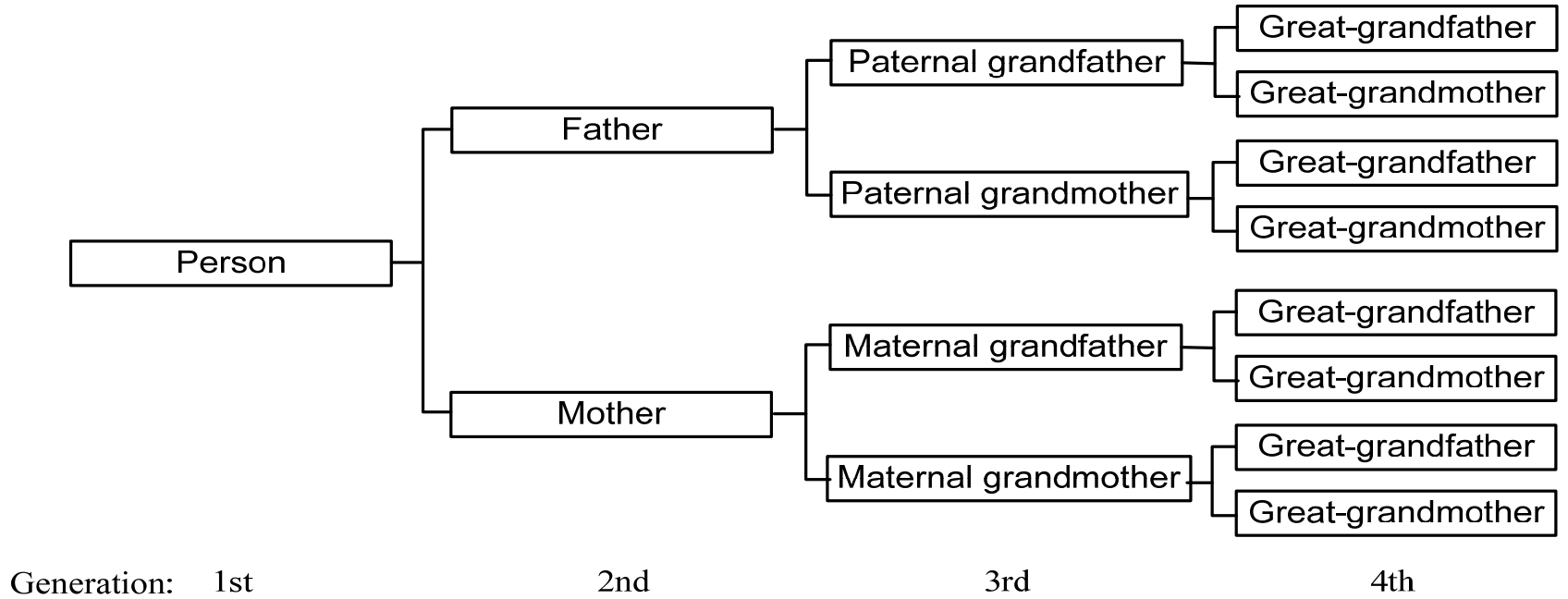
marteljm@ldschurch.org

jmartel3@gmail.com

Purpose of a Pedigree Viewer

- Visualize generation relationships
 - Ancestor (Parents)
 - Descendant (Children)
- Navigate
- Extend



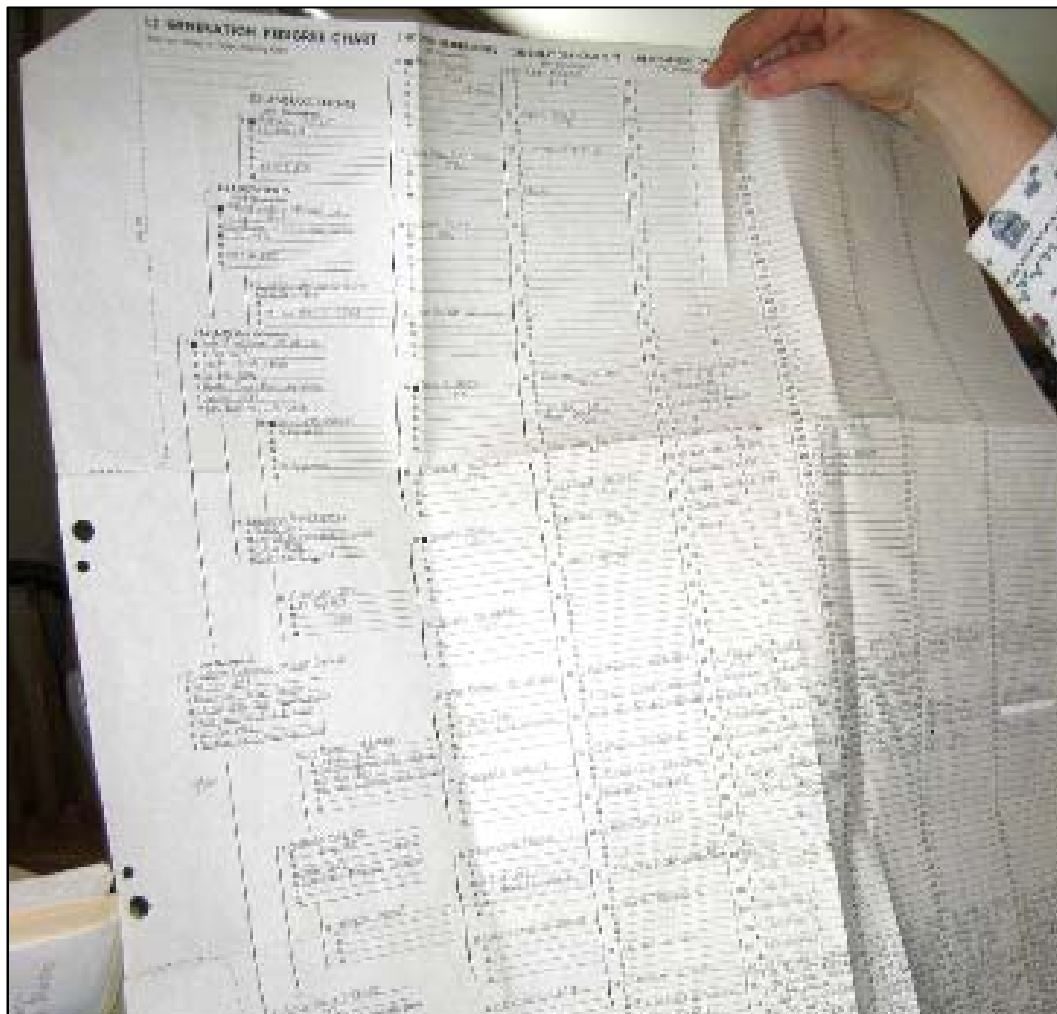


Traditional 2-d block view

Paper Medium

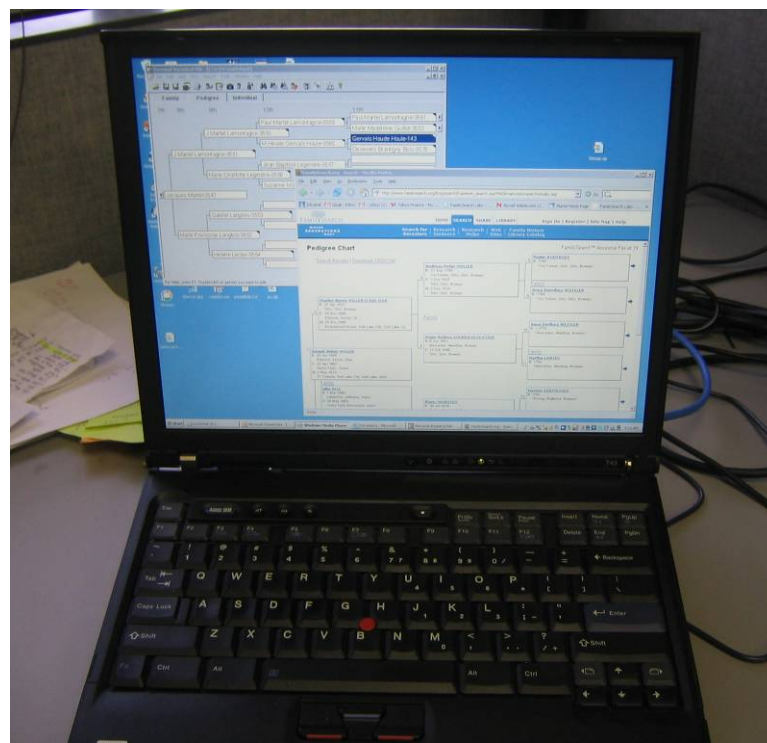
Large Charts

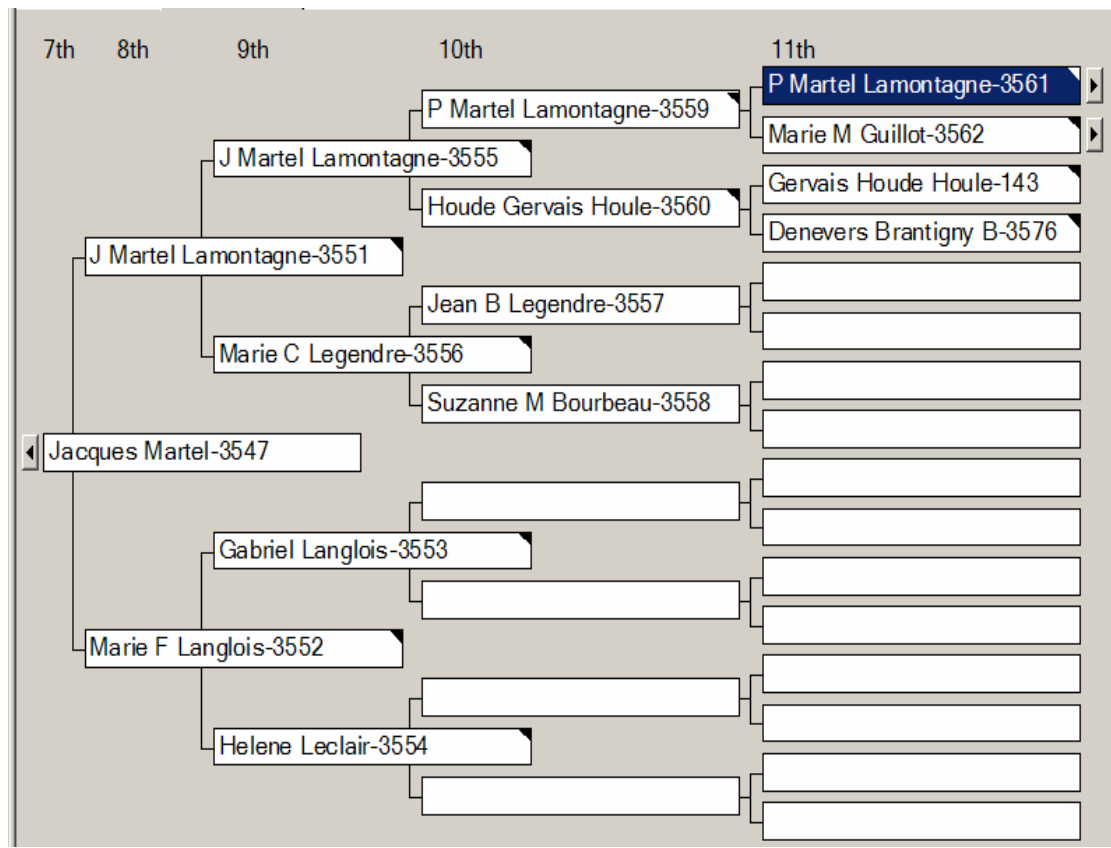
Home Printer



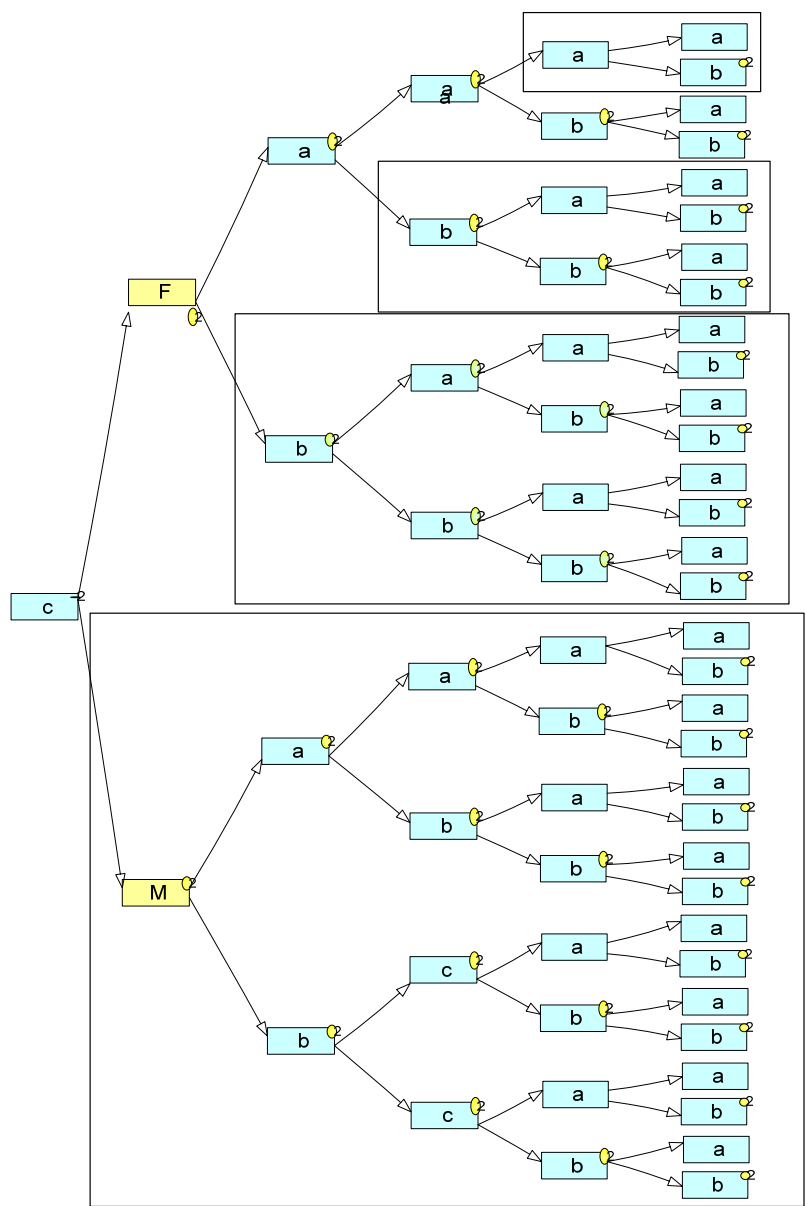
Computer Medium

- Computer Display
 - Interactive
 - Small viewport





“Looking through a straw”



Spouse / Parent

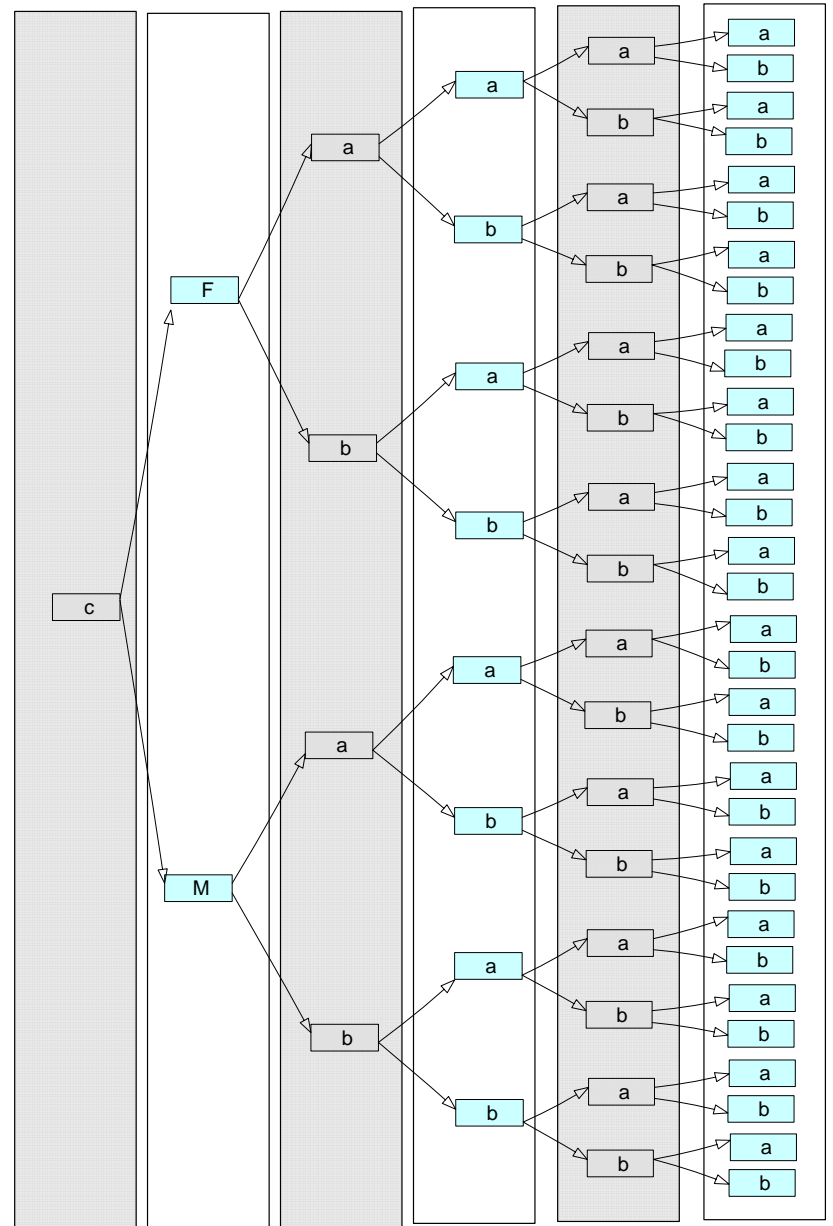
Spatial

Separation

Functional Requirements

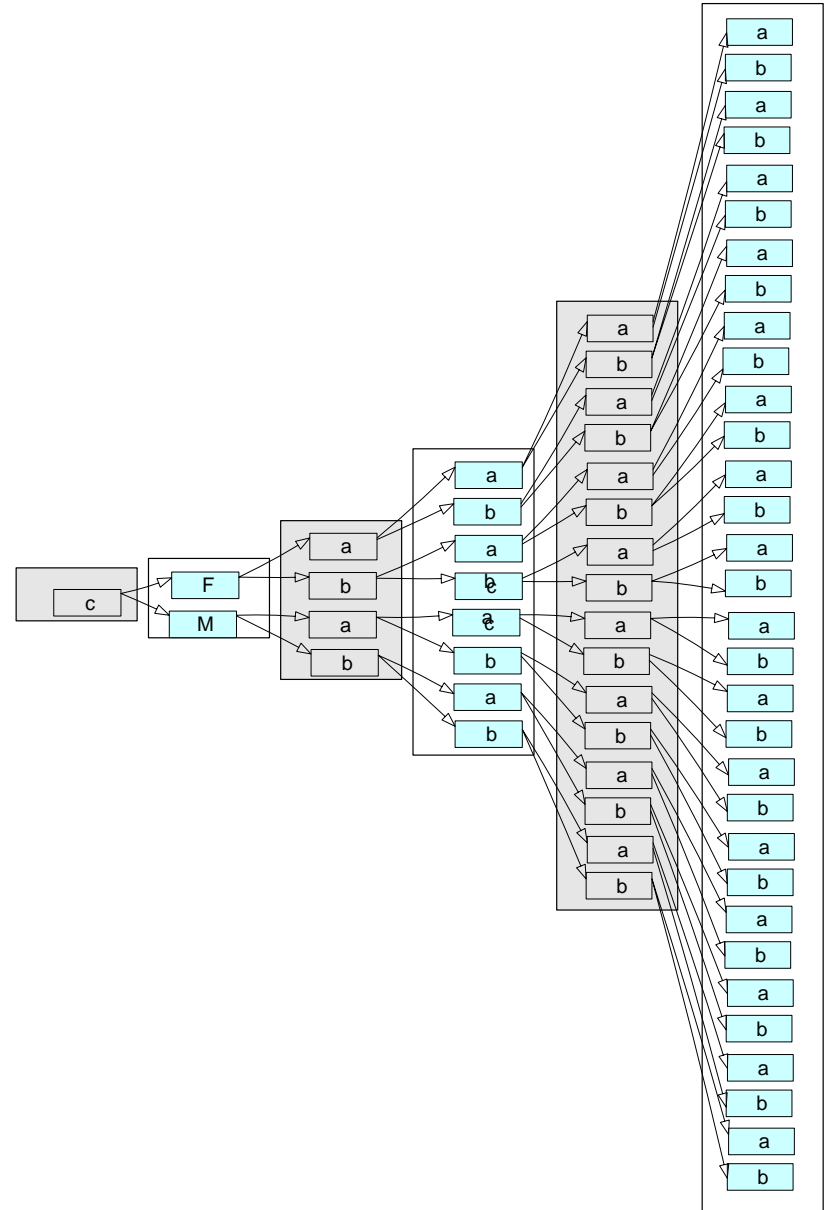
- See relationships, regardless of scale
- Distinguish individual (vitals, expand)
- See gaps in the tree
- Switch Ancestor and Descendant view
- Indicate multiple spouses
- Input - Gedcom

New Visualization Method Generation Stacks



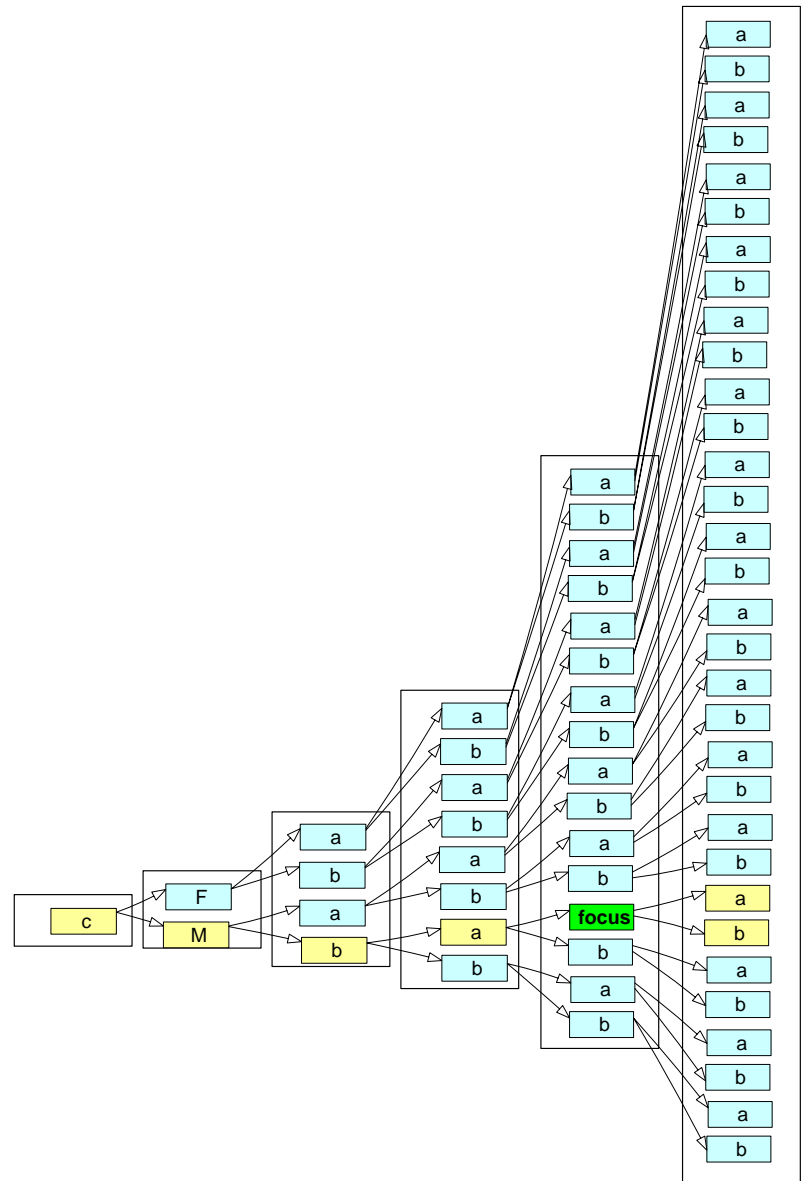
New Visualization Method

Compressing



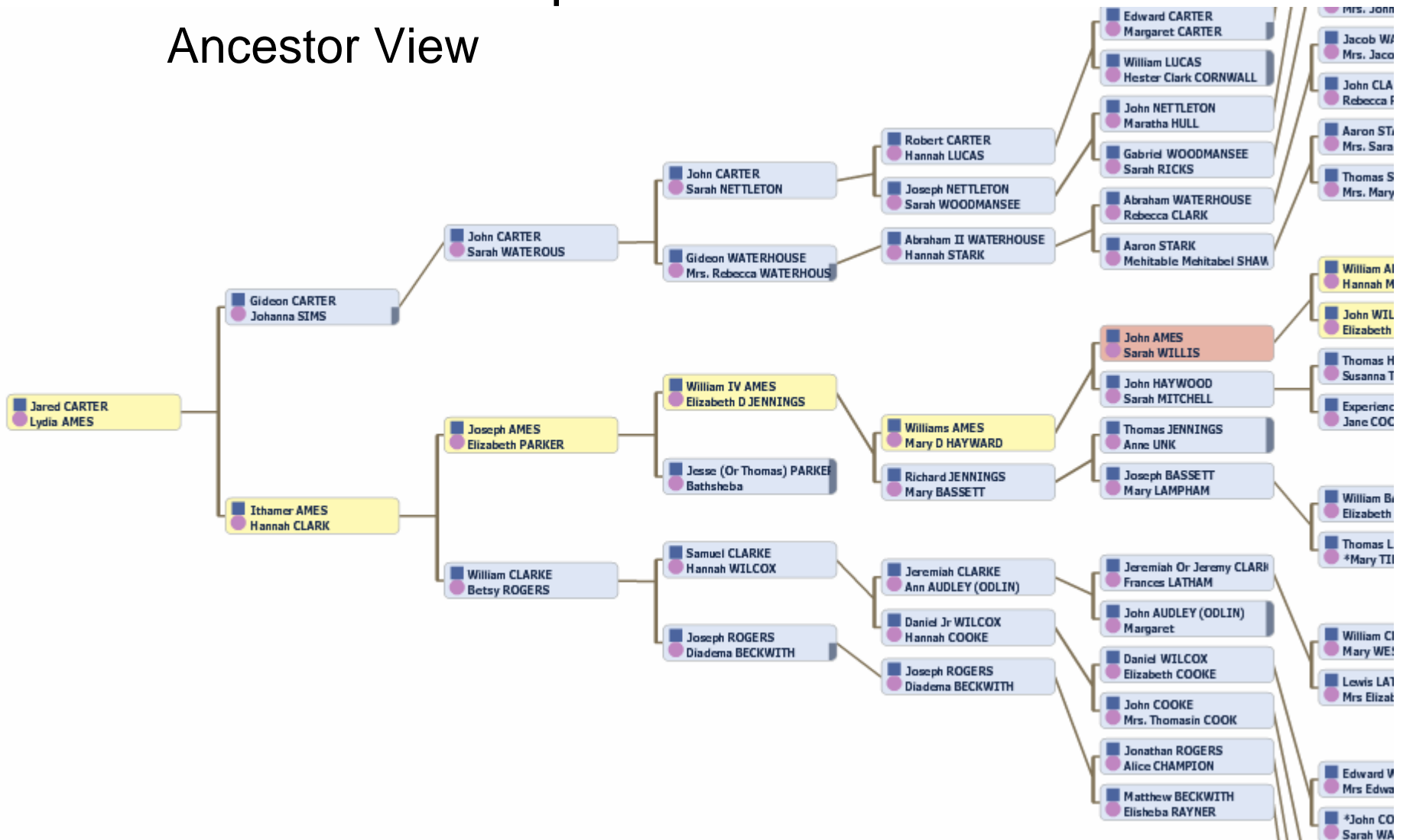
New Visualization Method

Y-Translation alignment



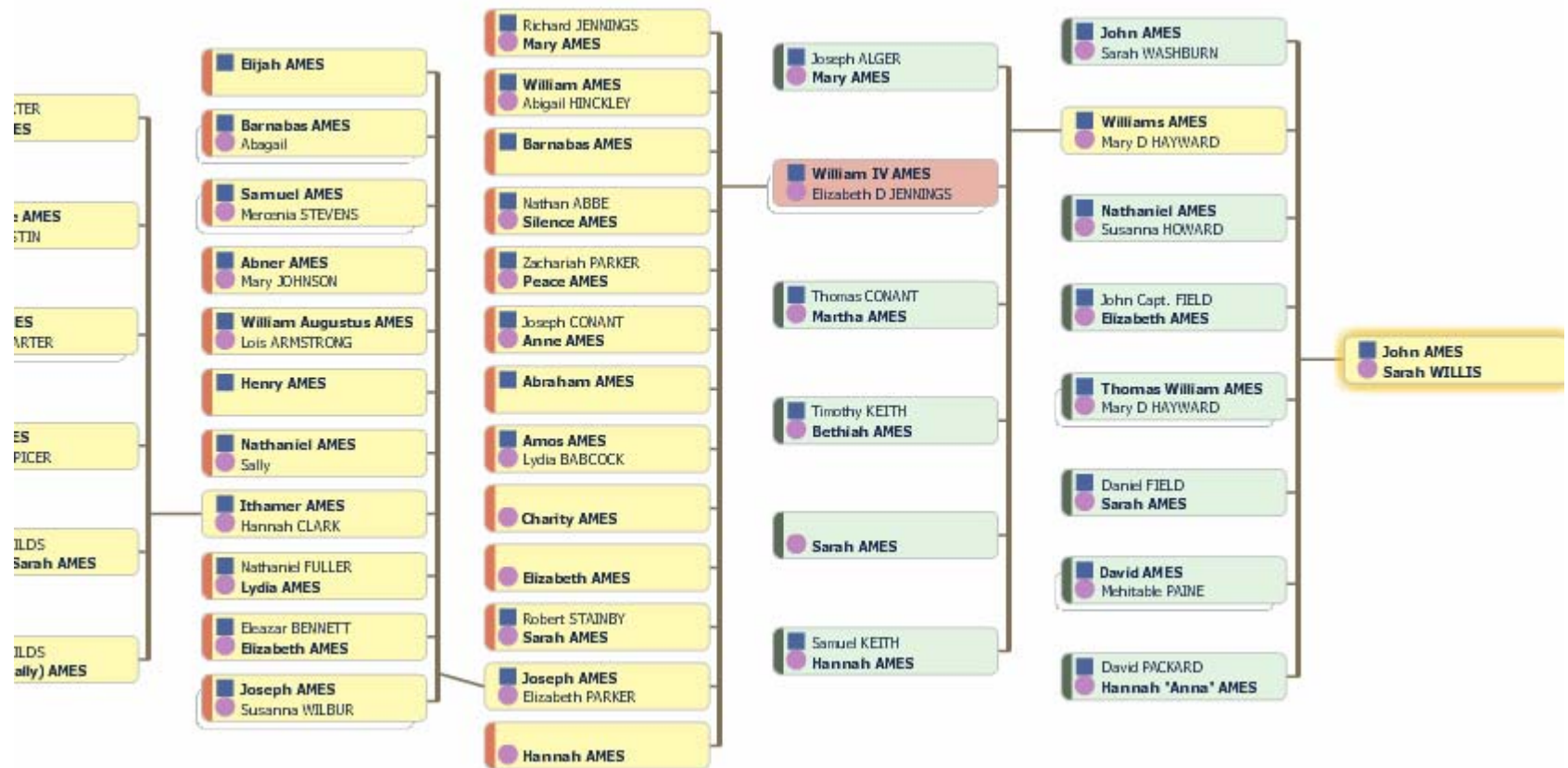
New Visualization Implementation

Ancestor View



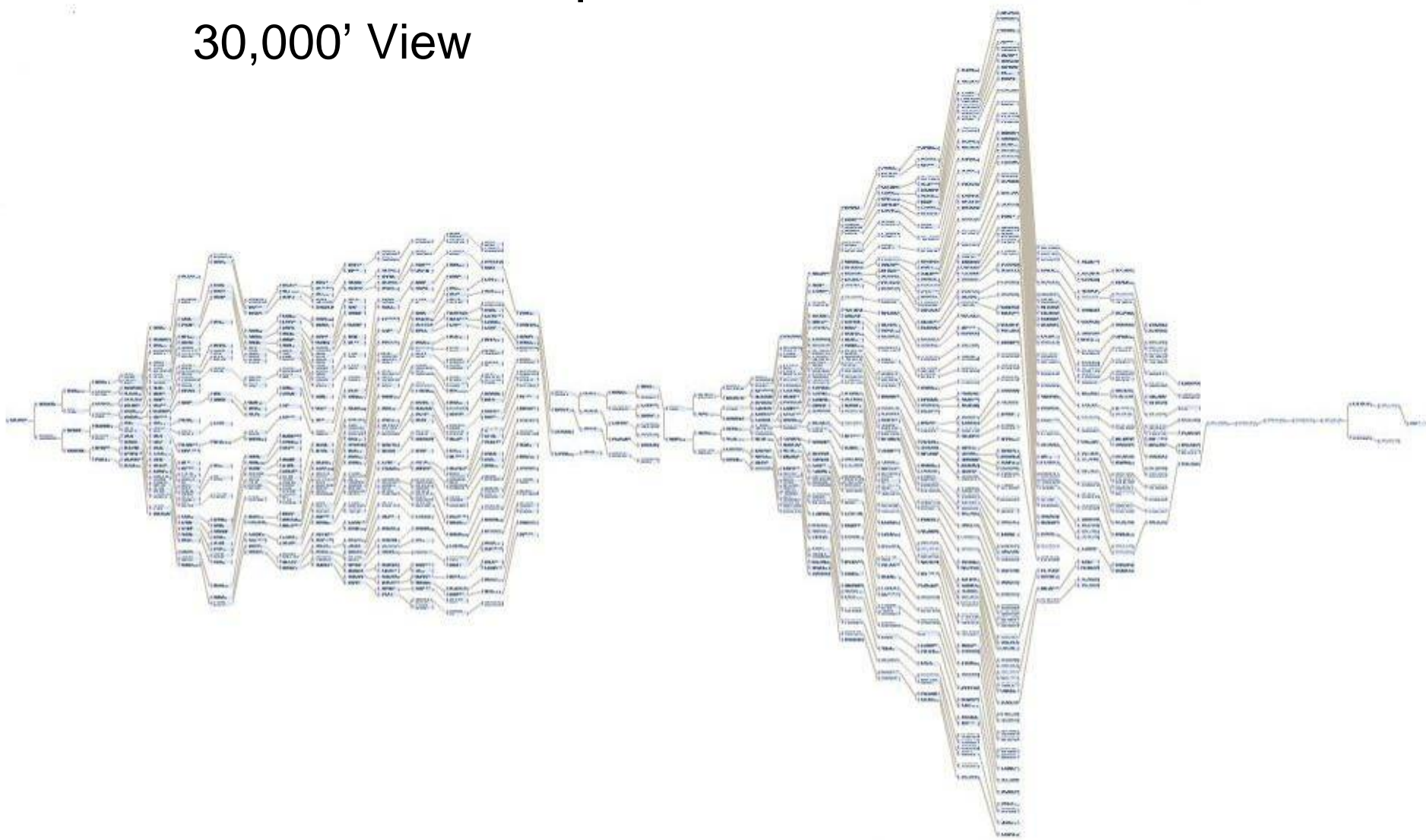
New Visualization Implementation

Descendant View



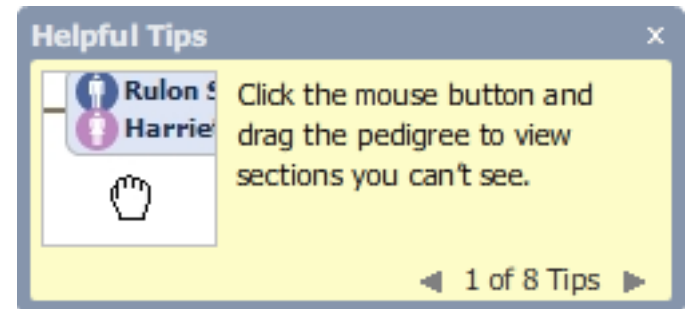
New Visualization Implementation

30,000' View



Other Requirements

- Wide experience level audience
- Intuitive User Interface
- Platform availability



Rich UI

- Interaction
- Response
- Maintaining Context
- Animation

Engineering

- Platform
 - Web-based tool
 - Flash/Flex2
- Agile Development
 - Iterations
 - Team dynamics
 - Deliverables

User Feedback

- Seeking feedback
- Quick turnaround
- *Labs*.FamilySearch.org

Team

- Engineers
 - Jason Butterfield
 - Joe Martel
- Product Manager
 - Dan Lawyer
- User Experience
 - Judy Rice
 - Grant Skousen